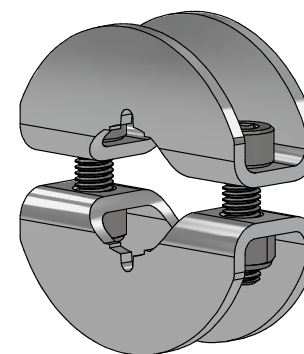
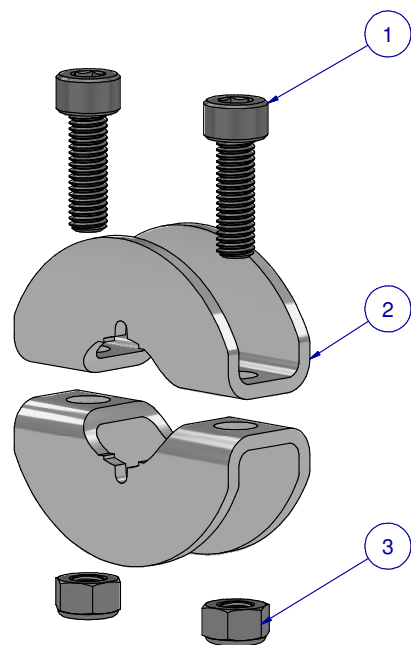


ITEM	PART NR.	QTY	DESCRIPTION
1	300044	2	FASTENER: SCREW SOCKET HEAD M5 X 0.8 X 16
2	300042	2	CLAMP: ACTUATOR WINCH HUB STARTER CABLE
3	300046	2	FASTENER: NUT NYLON INSERT LOCK M5 X 0.8



ASSEMBLED VIEW



BUTTERFLY CONCEPTS

CLAMP ASSEMBLY: ACTUATOR WINCH HUB STARTER CABLE

DATE: 05-15-19

REVISION:

PART NR.:

300048