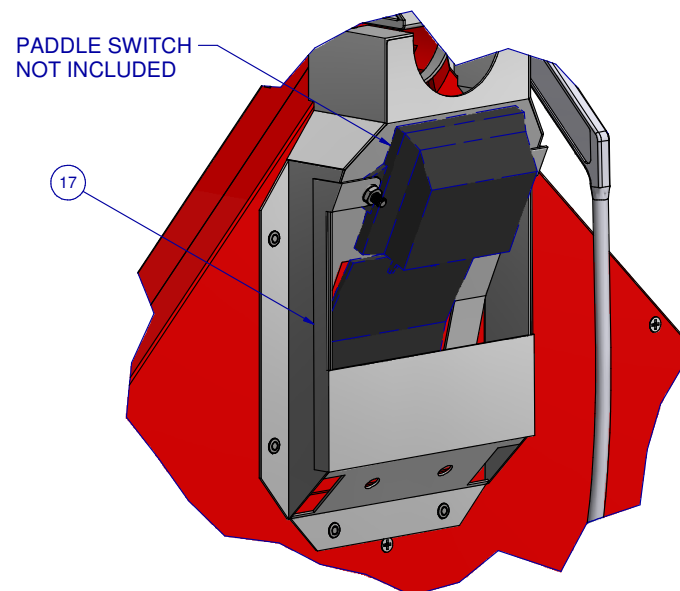
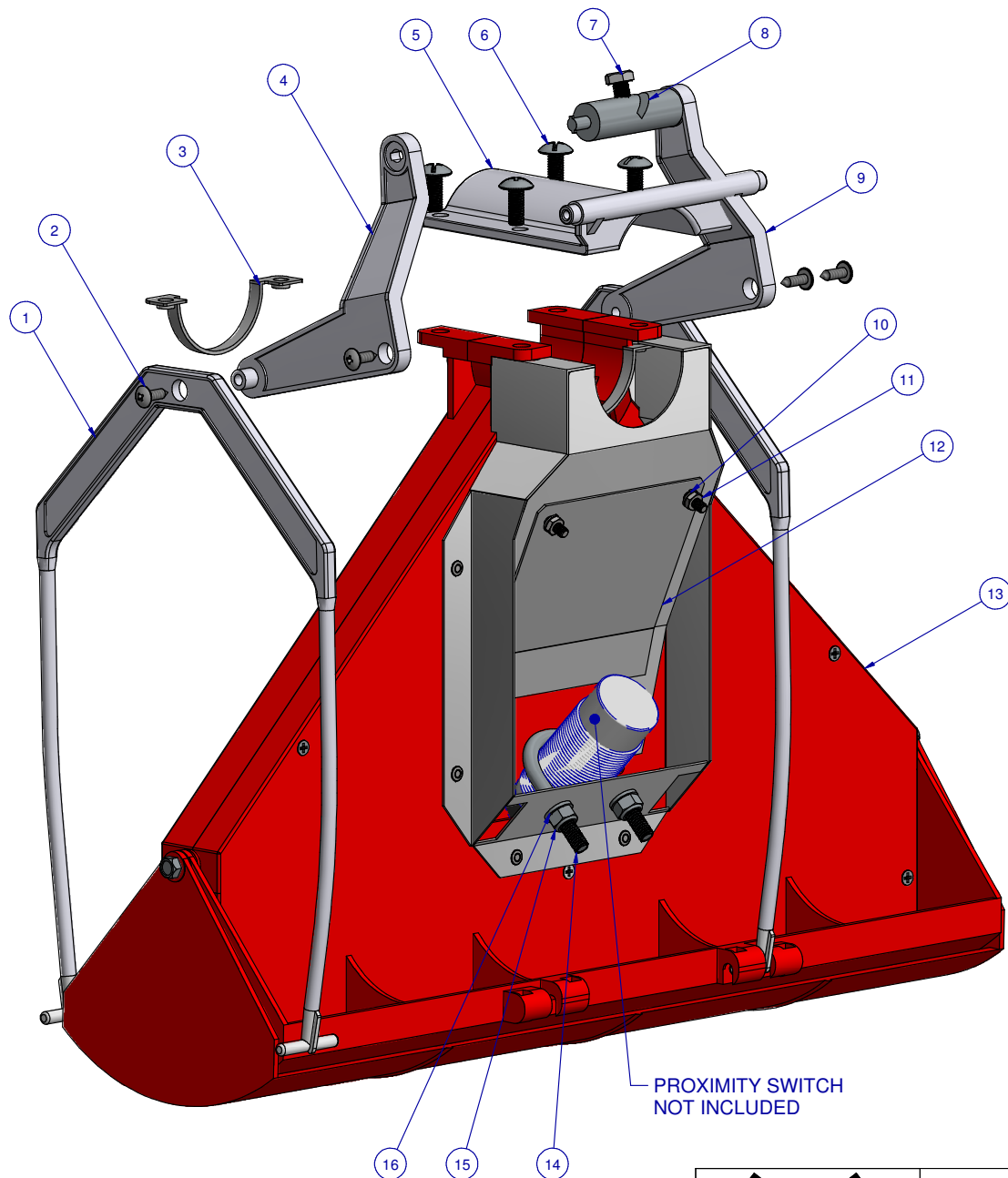



FOR 45MM DIAMETER FEED TUBE

SCALE: 35%

| ITEM | PART NR. | QTY | DESCRIPTION |
|------|----------|-----|--|
| 1 | 100240 | 2 | ACTUATOR LEG |
| 2 | 100250 | 4 | SCREW: ACTUATOR & ACTUATOR LEG |
| 3 | 100180 | 2 | MOUNTING BRACKET: METAL BOTTOM - 45 |
| 4 | 100230 | 1 | ACTUATOR ARM: F1 |
| 5 | 100170 | 1 | MOUNTING BRACKET: PLASTIC TOP - 45 |
| 6 | 100190 | 4 | BOLT: MOUNTING BRACKET |
| 7 | 100210 | 1 | BOLT: ACTUATOR ROD |
| 8 | 100200 | 1 | ACTUATOR ROD |
| 9 | 100220 | 1 | ACTUATOR ARM: E1 |
| 10 | 200306 | 2 | FASTENER: WASHER SPLIT LOCK M4 |
| 11 | 200304 | 2 | FASTENER: NUT M4 X 0.7 |
| 12 | 200316 | 1 | PLATE: IN-LINE CONTROL TRAY - PROXIMITY SWITCH SETUP |
| 13 | 200382 | 1 | DISPENSER SUB ASSEMBLY: IN-LINE CONTROL TRAY G2/45/FS4 |
| 14 | 200266 | 1 | FASTENER: U-BOLT M6 X 1.25 X 37 |
| 15 | 200274 | 2 | FASTENER: NUT NYLON INSERT LOCK M6 X 1.00 |
| 16 | 200276 | 2 | FASTENER: WASHER FLAT M6 |
| 17 | 200326 | 1 | HOUSING: IN-LINE CONTROL TRAY - PADDLE SWITCH SETUP |



| | | | |
|--|--|-----------|-----------|
|  BUTTERFLY CONCEPTS | CONTROL TRAY ASSEMBLY: IN-LINE G2/45/FS4 | | PART NR.: |
| | DATE: 02-18-16 | REVISION: | 200384 |