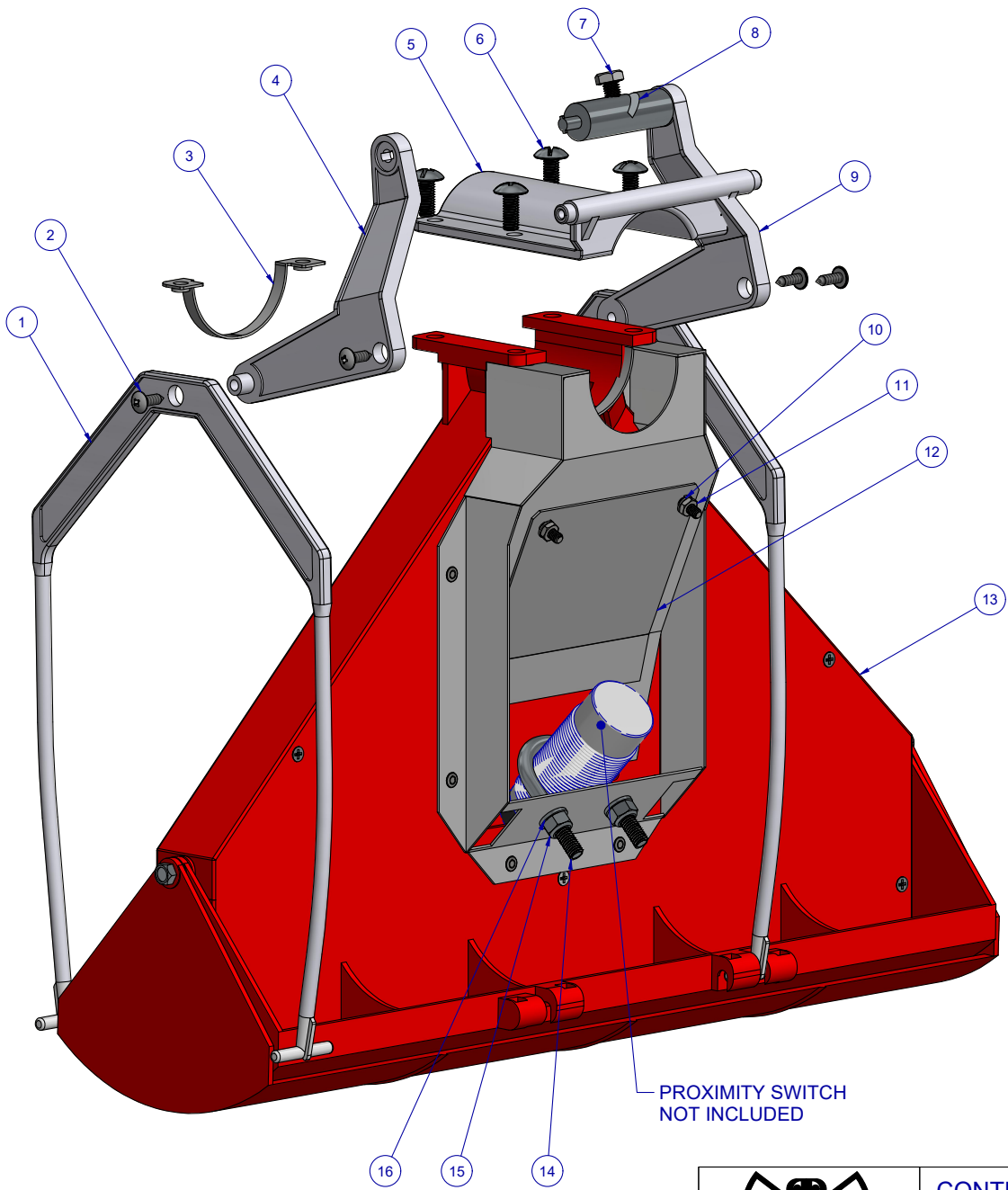
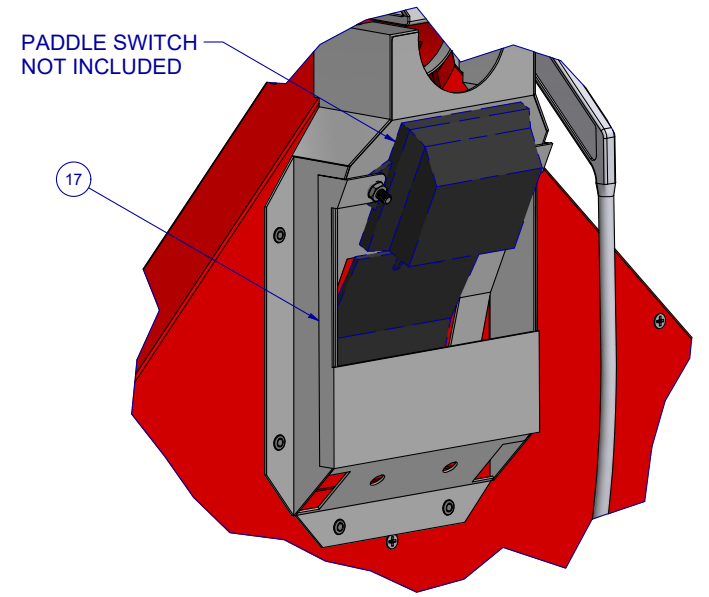



FOR 49MM DIAMETER FEED TUBE

SCALE: 35%



ITEM	PART NR.	QTY	DESCRIPTION
1	100240	2	ACTUATOR LEG
2	100250	4	SCREW: ACTUATOR & ACTUATOR LEG - G2/G3
3	PART	2	MOUNTING BRACKET: METAL BOTTOM - 49
4	100230	1	ACTUATOR ARM: F1
5	100172	1	MOUNTING BRACKET: PLASTIC TOP - 49 SP1
6	100190	4	BOLT: MOUNTING BRACKET - 45
7	100210	1	BOLT: ACTUATOR ROD
8	100200	1	ACTUATOR ROD
9	100220	1	ACTUATOR ARM: E1
10	200306	2	FASTENER: WASHER SPLIT LOCK M4
11	200304	2	FASTENER: NUT M4 X 0.7
12	200316	1	PLATE: IN-LINE CONTROL TRAY - PROXIMITY SWITCH SETUP
13	200342	1	DISPENSER SUB ASSEMBLY: IN-LINE CONTROL TRAY - G2/49/FS4
14	200266	1	FASTENER: U-BOLT M6 X 1.00 X 37
15	200274	2	FASTENER: NUT NYLON INSERT LOCK M6 X 1.00
16	200276	2	FASTENER: WASHER FLAT M6
17	200326	1	HOUSING: IN-LINE CONTROL TRAY - PADDLE SWITCH SETUP



 BUTTERFLY CONCEPTS®	CONTROL TRAY ASSEMBLY: IN-LINE G2/49/FS4		PART NR.:
	DATE: 07-29-15	REVISION:	200344