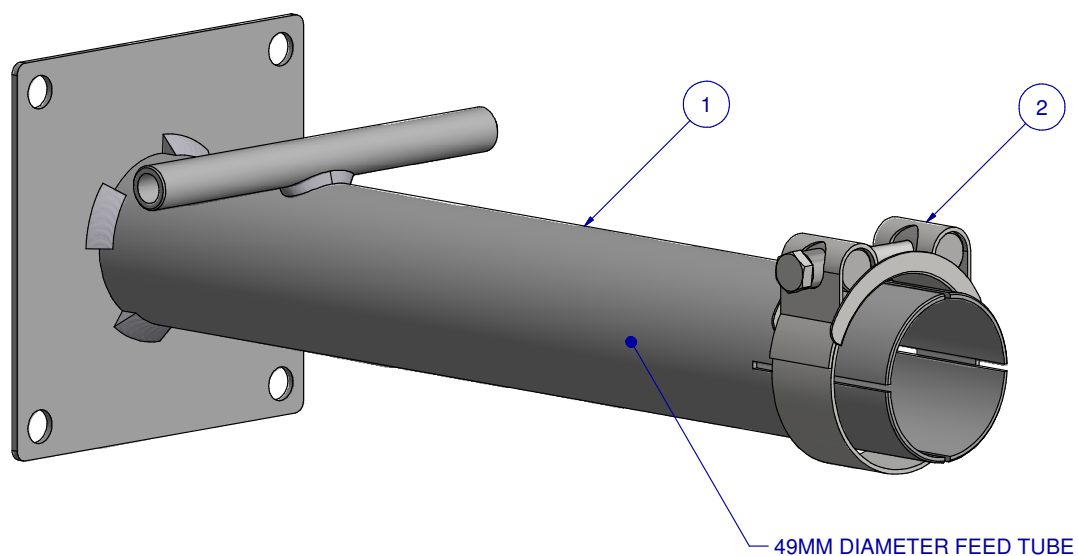


FOR 49MM DIAMETER FEED TUBE

SCALE: 50%

ITEM	PART NR.	QTY	DESCRIPTION
1	200186	1	TUBE ADAPTER: END-LINE CONTROL TRAY G2/49 - NHFT
2	200188	1	CLAMP: TUBE ADAPTER G2/49 - NHFT



TUBE ADAPTER ASSEMBLY: END-LINE CONTROL TRAY G2/49 - NHFT
 DATE: 05-08-17 REVISION:

PART NR.:
200192