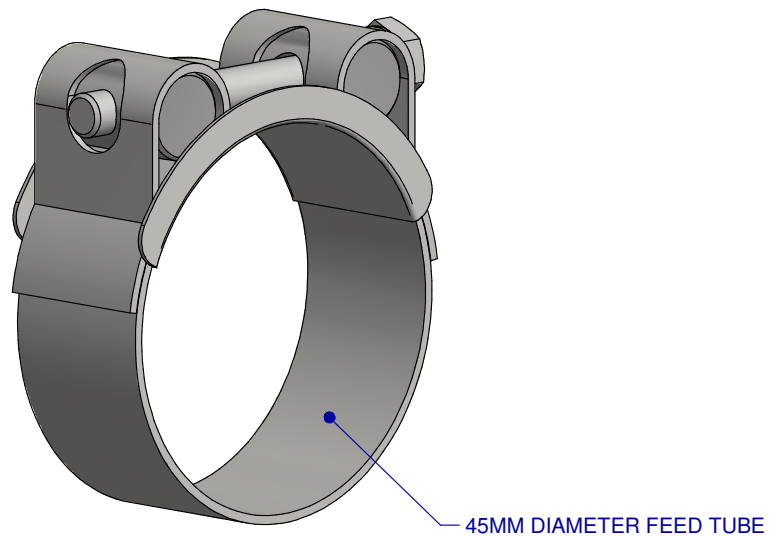



FOR 45MM DIAMETER FEED TUBE

SCALE: 100%



 BUTTERFLY CONCEPTS	CLAMP: TUBE ADAPTER G2/45 - NHFT		PART NR.:
	DATE: 11-14-11	REVISION: 3	200184